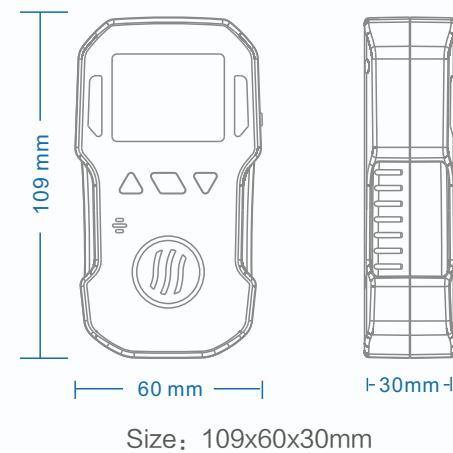




BH-90A PH3 Portable Single Gas Detector

Technical Parameters

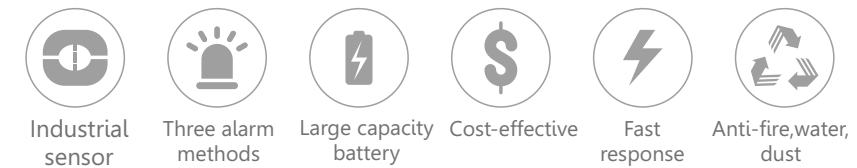
Gas sampling method:	Natural Diffusion
Alarm methods:	sound, light, vibration
Working Temperature:	-20°C-50°C
Power:	3.7V rechargeable lithium battery
Sensor life:	2 years
Charging time:	4~6hours
Display:	1.77 inch LCD display
Operating time:	working continuously for at least 8 hours
Explosion-proof:	Exib IIB T3 Gb



BH-90A PH3 Portable Single Gas Detector

BH-90A is an economical single gas detector, adopting advanced sensor and micro control technical, quick response, high accuracy, great steadily and repeatability, the detector's performance is the leader grade in the industry, easy to operate.

The detector has built in large and rechargeable lithium battery, long standby; adopt LCD screen that can indicate every technical data and gas concentration value perfectly. The shell is designed by anti slip material, small and portable. Suitable for explosion proof, toxic gas leak rescue, underground pipe, mine, metallurgy ,electric industry, chemical, tunnel and other places. prevent the accident efficiently, keep the worker safe and prevent the facilities from being destroyed.



Sensors supported

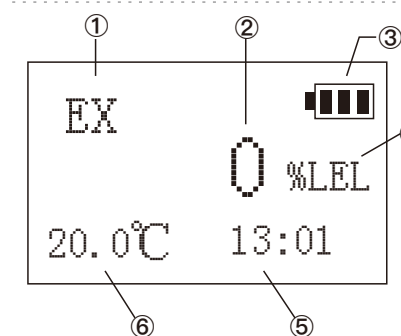
Can detect more than 30 kinds of gases, can customize flexibly according to users' need

Range

PH₃: 0~100PPM

Resolution

1PPM



1. Gas display
2. Gas concentration content display
3. Battery power display
4. Unit power display
5. Time display
6. Temperature display

