

K-600 Gas detector with Built in Pump (Single or Multi)

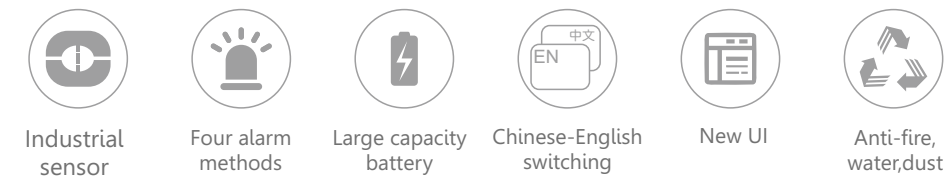
K-600 portable multi-gas detector with built-in pump is a new intelligent gas detector, which adopts an advanced integrated circuit, with standard intelligent level design technology, and proprietary digital analog hybrid communication technology. The detector is of excellent sensitivity and repeatability, which makes it very easy to use and maintain. Thus greatly meets the safety requirements of industrial sites with high reliability. The detector is made of high-strength engineering plastics, compound non-slip rubber, which is of high strength and good hand feeling. what's more, the detector is water-proof, dust-proof and explosion-proof.

It is widely used in petroleum, chemical, environmental, metallurgy, refining, gas transmission and distribution, biochemical medicine, agricultural and other industries.



[Single or Multi]

K-600 Gas Detector with Built in Pump



Sensors supported

Can detect more than 30 kinds of gases, can customize flexibly according to users' need (detect 5 different gases in one unit). normally detect Ex, O₂, H₂S, CO gases.

Range

EX: 0~100%LEL
O₂: 0~30%VOL
H₂S: 0~100PPM
CO: 0~1000PPM
PH₃: 0~100PPM

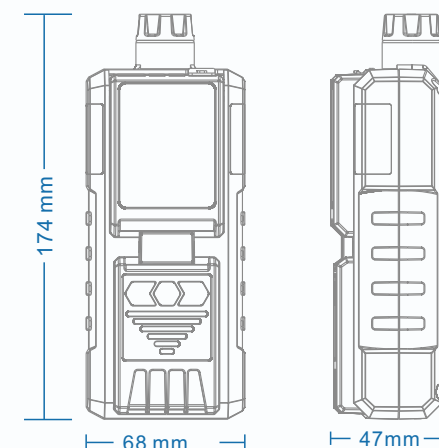
Resolution

EX: 1%LEL
O₂: 0.1%VOL
H₂S: 1PPM
CO: 1PPM
PH₃: 1PPM



Technical Parameters

Gas sampling method:	Pumping
Alarm methods:	sound, light, vibration, curve display
Working Temperature:	-20°C-50°C
Power:	3.7V 360mA rechargeable lithium battery
Charging time:	4-6 hours
Display:	2.4 inch colored LCD display
Operating time:	working continuously for at least 10 hours
Explosion proof:	Exib IIC T4 Gb



Size: 174x68x47mm