

YML2000C LED Based Medium Intensity Obstruction Light

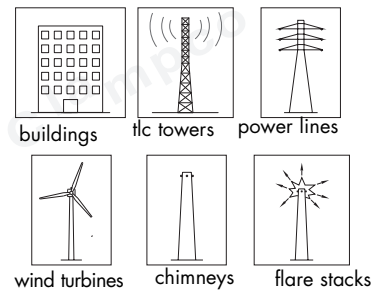
YML2000C is a new generation medium intensity OB light. It uses 24 OSRAM LED, Compare with YML2000B it has more intensity better heat dissipation and efficiency is higher.

Our products work is very stable under AC voltage from 110VAC to 240VAC Our products work under DC voltage from 48V to 60V. It comes with compact-size and light-weight, which makes installation job nice & easy.

Features

- Unique optical design complies with ICAO regulation
- Aluminum head provides good thermal performance
- Better shock-resistant perform than Xenon
- Longer lifetime expectancy
- Almost maintenance free
- Lower voltage (than xenon) makes it safer for installer
- Cost effective in long run
- 5 years warranty

APPLICATIONS



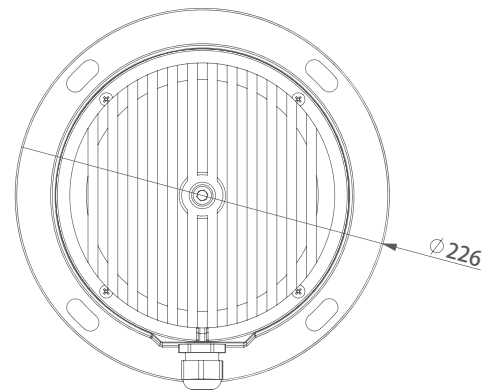
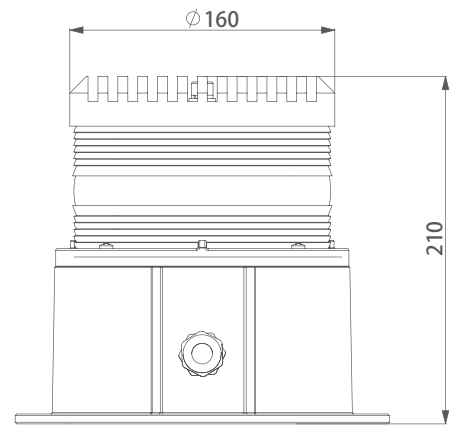
Standard

- ICAO Annex 14, 4th Edition, July 2004
- ICAO medium intensity type B & type C
- FAA AC No. 150/5345-43F,2006
- FAA type L864

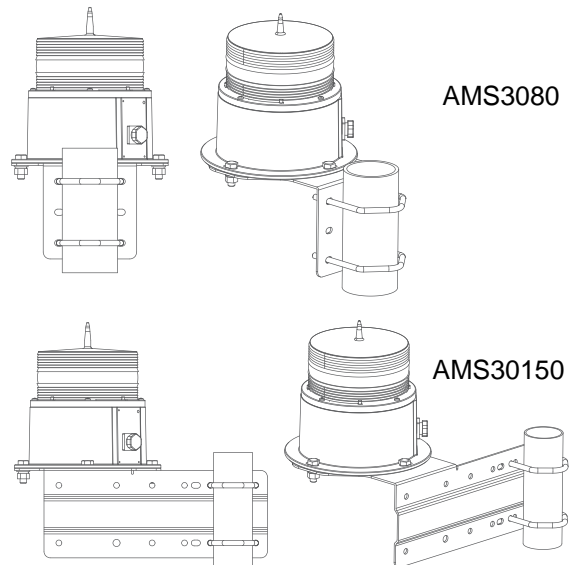


Specifications

LIGHT OUT-PUT	
Peak Intensity	2000 Candela
Vertical Divergence	-1° 950cd, Centering at 0.5°
Horizontal out-put	360 Degree
LED Color	Red
LED Lifespan	100,000 Hours
OPERATION	
Flash Pattern	Steady-burning or flashing
POWER SUPPLY	
Input voltage	110VAC - 220VAC 48VDC-60VDC
Frequency	50Hz - 60Hz
Rated consumption	35W in steady mode
MECHANICAL STRUCTURE	
Lens	Polycarbonate, UV Stabilize
Body	Die-casting Aluminum
Water-proof	IP67
Weight	5 KG
Temperature Range	-40 - +55
Relative humidity	100% with condensation
Dimensions	210mm H, 226mm Diameter
Warranty	5 years
Optional	Available with built-in photo sensor Available with built-in Alarm relay



Installation



Order Codes

Series	Siger/Double	AC/DC	Flashing/stead	Photo sensor	Alarm relay
YML2000C	S	A	F	P	R
	D	D	S		

For example YML2000CDASPRST means AC-YML2000C works in Service Standby With Photosensor with alarm relay output

YUANSHENG AMS mounting kit : Ordering Code

Series	Vertical tower leg diameter range	Horizontal tower leg diameter range
AMS3080	30-80mm	30-80mm
AMS30150	30-150mm	30-80mm

