

YSL2000 Solar Powered LED Based Medium Intensity Obstruction Light

YSL2000 solar powered LED medium intensity red obstruction light, solar self-contained design makes it easy to install any emergency case.

Robust body built and surface coating provides good protection against harsh environments. Other advantages like energy saving and cable saving make the solar powered light a good option on obstruction marking.

YSL2000 is equipped with a 20W solar panel and 16Ah VRLA (Volve-Regulated Lead Acid) rechargeable battery which could power the light up to 7 days when the weather is cloudy & rainy.

YSL2000

Intensity	2000cd, Flash
Compliant with	ICAO : Medium intensity type B
	FAA : L-864
	DGAC Mexico

Features

- Green energy
- Ultra-light LEDs, energy saving
- Self-contained without outside power supply
- Maximum visibility distance 20KM
- Once fully charged, it can work for up to 90 hours
- Cable cost saving & cabling job saving
- No wiring job, nice & easy installation

Standard

- ICAO Annex 14, 4th Edition, July 2004
- ICAO medium intensity type B
- FAA AC No. 150/5345-43F,2006
- FAA type L-864

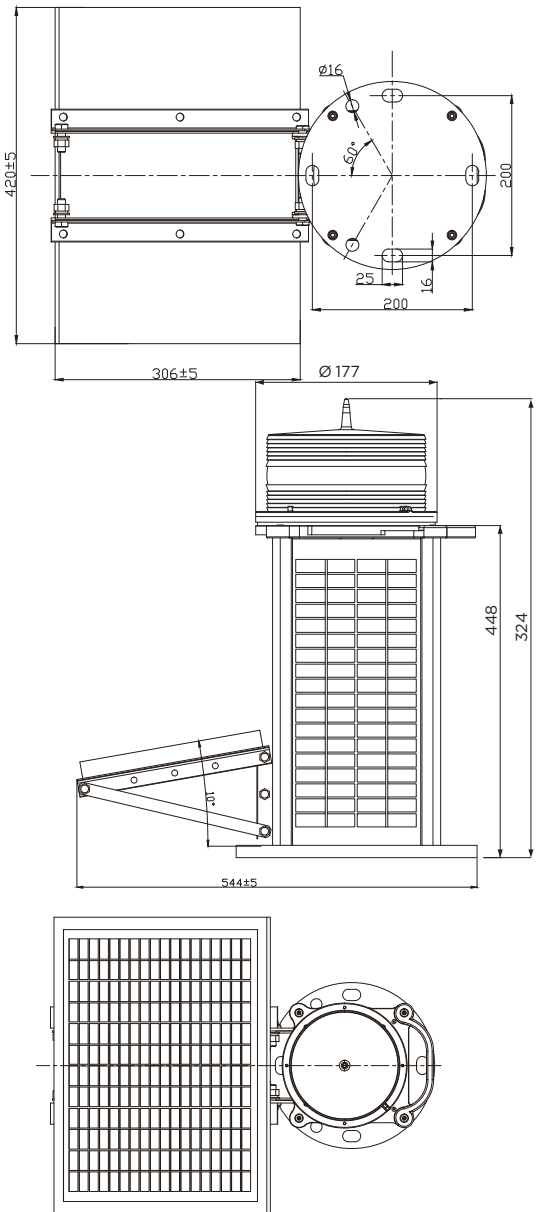
Application

- Telecomm tower
- Radio tower
- Wind turbine
- Somke stacks & chimney
- Tall building
- Power transmission line



Specifications

LIGHT OUT-PUT	
Intensity	2000 Candela
LED Color Available	Red
Vertical Divergence	3 degree
Horizontal Out-put	360 degree
Illumination	Ultra-bright LEDs
LED Lifespan	100,000 hours
OPERATION	
Autonomy	Flashing : 7 days(14 hours/day)
On & Off Level	70/100 Lux
Flash Pattern	Flashing (40FPM as default)
POWER SUPPLY	
Power Source	Solar module, mono-crystalline silicon
Solar Efficiency	13.5%
Max. Power Out-put	20 Watts
Battery Type	High-efficiency Lead-Acid rechargeable battery
Battery Capacity	16 AH / 12V
Battery replacement	Yes, replaceable
MECHANICAL STRUCTURE	
Lens	Polycarbonate, UV Stabilize
Body	Die-casting Aluminum
Water-proof	IP67
Weight	15 KG
Temperature Range	-40C° - +55C°
Light Dimensions	296mm H, 235mm Diameter
Solar Module dimension	306mm*420mm
Warranty	5 years for light 2 years for VARA battery



Note: when the light is in storage, please put it outside to charge the battery every 3 months

ysl2000SeriesPhotometricPerformance

